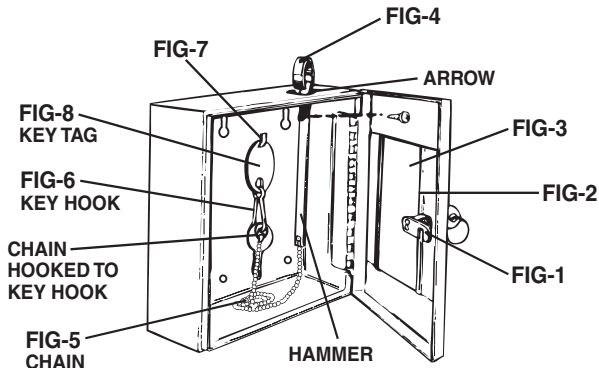


EMERGENCY KEY BOX INSTALLATION INSTRUCTION SHEET (FIG. 7)

SEE NOTE 4

KEYED DIFFERENTLY – ORDER NUMBER 201900007 TO REPLACE BOX
KEYED ALIKE – ORDER NUMBER 201900307 TO REPLACE BOX
ORDER NUMBER 201900100 TO REPLACE GLASS



1. To install glass (**Fig-3**) remove lock jam nut ($\frac{7}{8}$ " wrench) (**Fig-1**) raise bracket (**Fig-2**) place glass in brackets slot with lettering in proper position.
2. Mount unit to wall with (4) #8x $\frac{1}{2}$ large wood screws.
3. To install hammer (**Fig-4**) remove key hook (**Fig-6**) from chain. Place chain (**Fig-5**) thru hole (arrow) and replace key hook and hammer as shown.
4. Place installation instruction sheet (**Fig-7**) on key tag hook for future ordering of parts replacement.
5. Place key on key hook.